

## Features

- Interchangeable UK, EURO, US & AUST
- 25PA UK: UKCA & ASTA approved to BS 1363-1
- 25PB EURO: VDE approved.
- 25PC US: UL approved
- 25PD AUST: SAA approved.

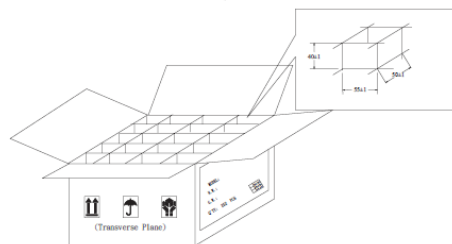
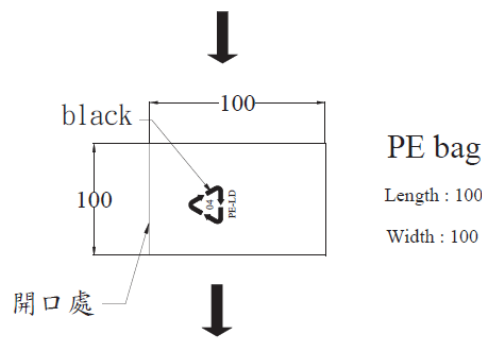
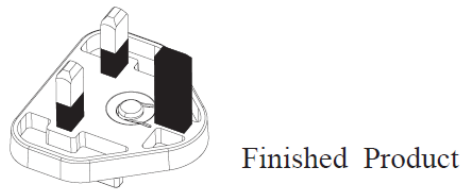
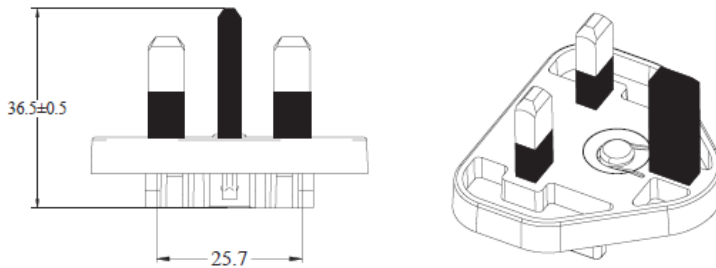
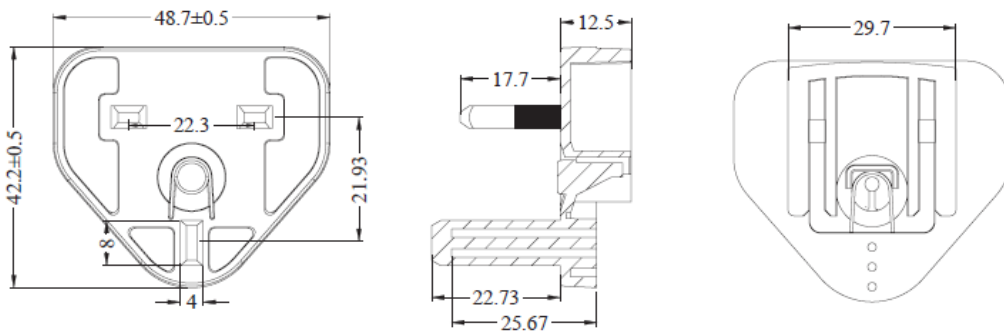


Ideal Power's 25Px Interchangeable Plugtop Series are certified to UKCA, ASTA, VDE, cULus, SAA & EN 62368-1/IEC 62368-1/UL 62368-1 Standards and comply with (EU) 2019/1782, Level VI Efficiency Regulations. These are primarily used in ITE, Audio & Video Industries and customised solutions are available upon request.

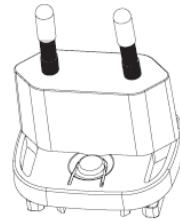
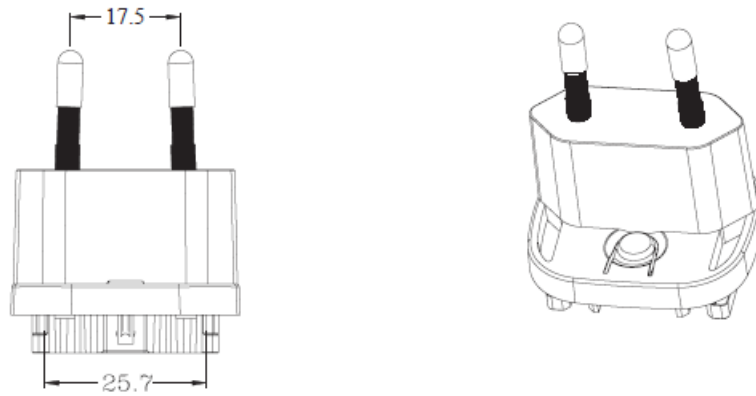
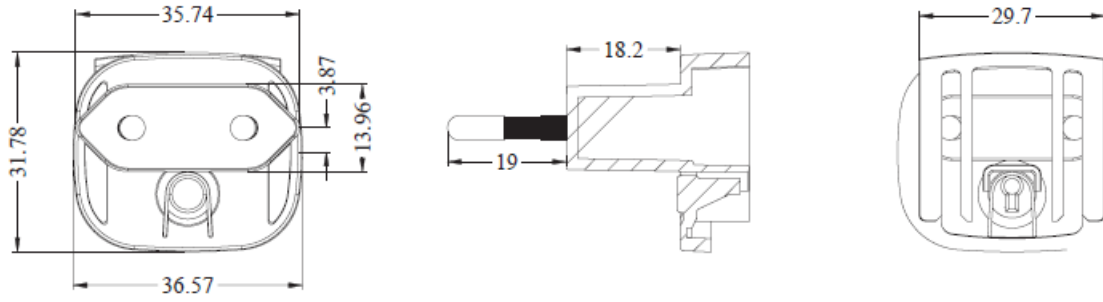
### Models

Model Number	Plug Type	Notes
25PA	UK	
25PB	EURO	
25PC	US	
25PD	AUST	

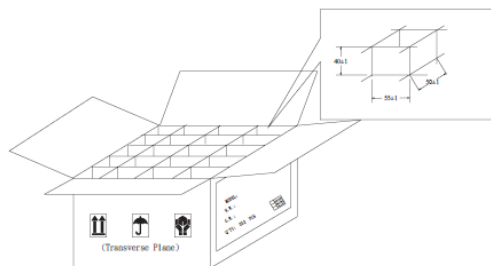
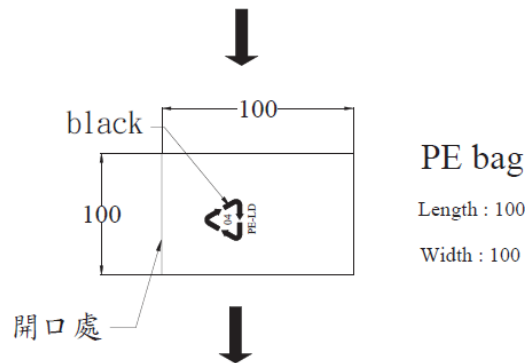
**25PA - UK Plug**



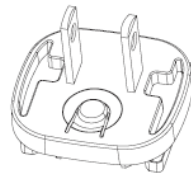
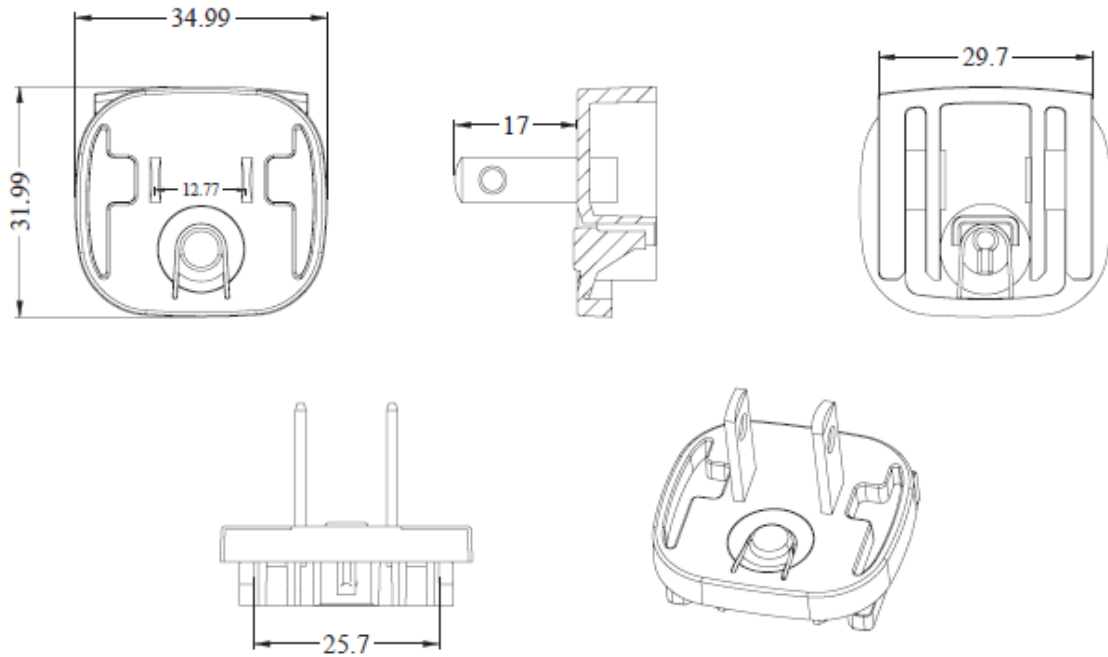
**25PB – EURO Plug**



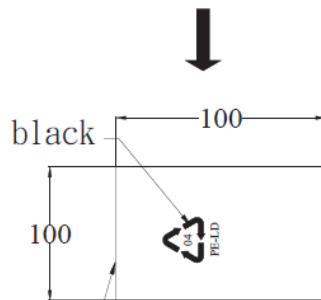
Finished Product



**25PC – US Plug**



Finished Product

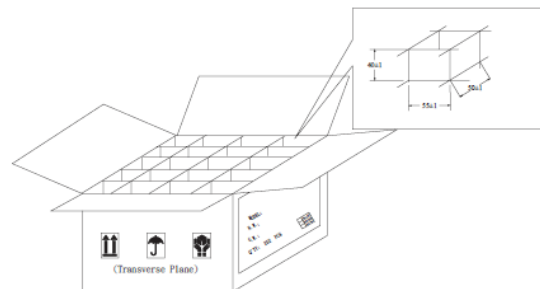


PE bag

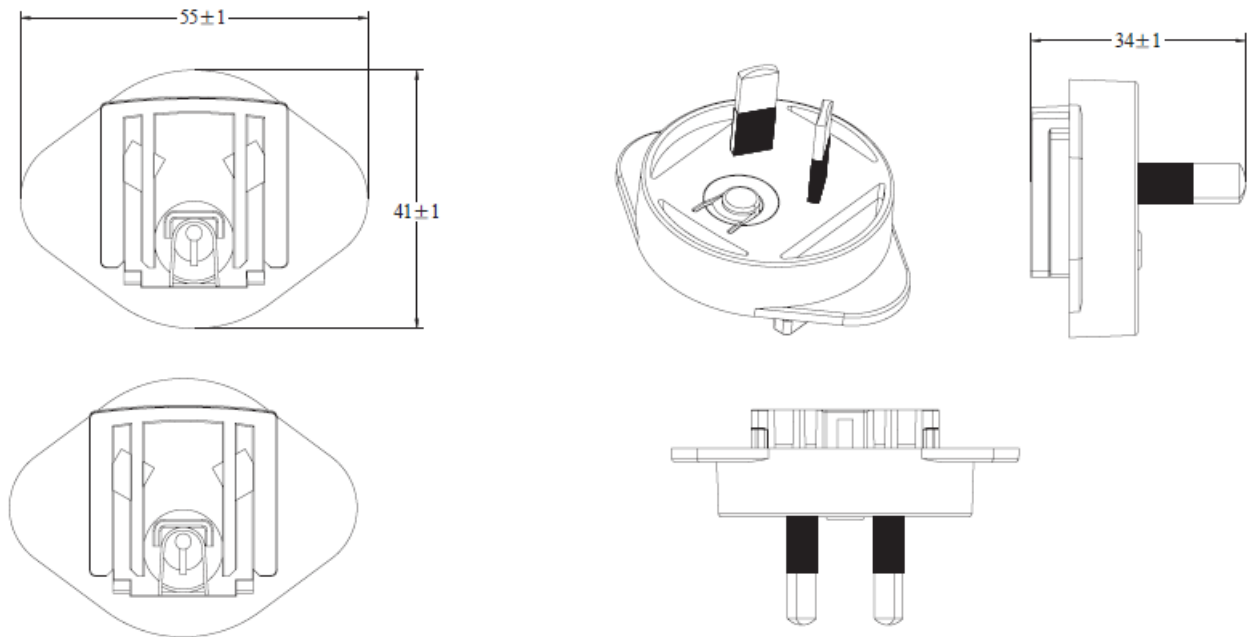
Length : 100

Width : 100

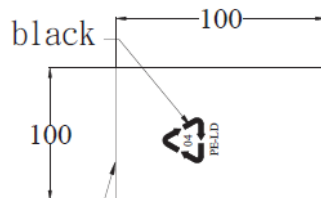
開口處



**25PD – AUST Plug**



Finished Product



PE bag

Length : 100

Width : 100

開口處

